



SLIP RING  
SC 080

## FACTS

- Max. 24 rings with 3 A or max. 12 rings with 16 A
- Rings with 3 A or 16 A can be combined
- Outer diameter 80 mm
- Inner diameter max. 30 mm
- 240 V<sub>AC</sub> / 240 V<sub>DC</sub>



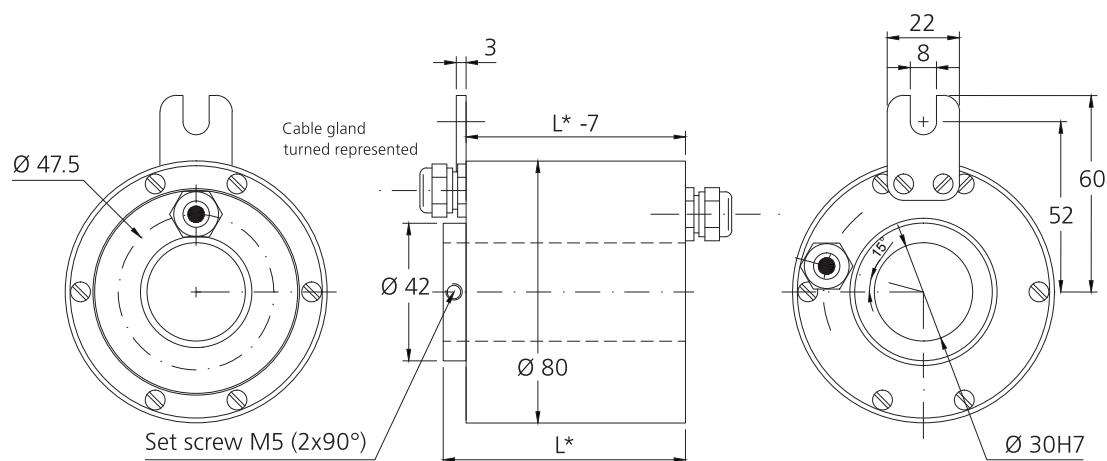
6-pole version

## ELECTRICAL DATA

Number of rings:	max. 24 rings pairwise with 3 A; max. 12 rings with 16 A; to be combined
Voltage:	240 V <sub>AC</sub> / 240 V <sub>DC</sub>
High pot:	500 V <sub>AC</sub>
Insulation resistance:	1000 MΩ at 500 V <sub>DC</sub>
Noise:	20 mΩ at 10 V <sub>DC</sub> / 1 A

## MECHANICAL DATA

Rated speed:	250 min <sup>-1</sup> for gold contacts or 1000 min <sup>-1</sup> for silvercarbone on brass rings
Protection class:	IP 54; IP 64 on request
Temperature:	-20 °C ... +80 °C (-5 °F ... +175 °F)
Rotor / Stator conn.:	1000 mm cable or leads; other lengths on request
Bearings:	ball bearings of steel
Housing:	Aluminium



Number of rings	2	3	4	6	9	12	18	24
Power (L*)	54	64	74	94	124	144	-	-
Signal (L*)	54	-	54	64	-	84	114	154



SLIP RING

SC 080



---

## ORDER INFORMATION

Type of slip ring.

S	C	0	8	0
---	---	---	---	---

No. of rings with:

max. 3 A  
max. 16 A


Voltage


Standard: max. 24  
Standard: max. 12

Length of leads in mm: Rotor  
Stator


Standard: 1000 mm  
Standard: 1000 mm

Inner diameter in mm:

--	--

Standard: 30 mm

---

### LTN Servotechnik GmbH

Georg-Hardt-Straße 4

83624 Otterfing, Germany

Tel: +49 (0)8024 6080-0

Fax: +49 (0)8024 6080-1000

ltn@ltn.de

www.ltn.de

Subject to change without prior notice. Issued 06/2015