



FACTS

- Outer diameter: max. 120 mm
- Inner diameter: max. 70 mm
- Fieldbusses
- Fast Ethernet (certified to 100-BaseT Cat.5e & Cat.6)
- Flexibly configurably interfaces

ACCESSORIES ON REQUEST

- Resolver • Encoder • FORJ • Media Rotary Joint

APPLICATION EXAMPLES

- Machine Tool • Packaging Machine • Wind Turbine Pitch System



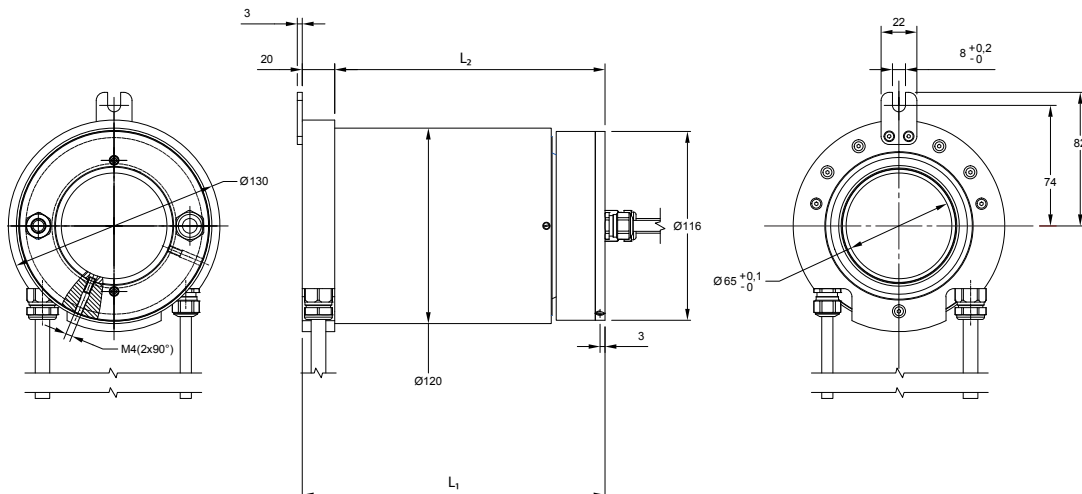
ELECTRICAL DATA

| | |
|------------------------|--------------------------------|
| Number of rings: | max. 80 |
| Current per ring: | max. 30 A |
| Voltage: | max. 400 V _{AC} |
| Dielectric strength: | 2000 V _{AC} |
| Insulation resistance: | >500 MΩ at 500 V _{DC} |

MECHANICAL DATA

| | |
|------------------------|---|
| Rotation speed: | max. 250 rpm |
| Protection class: | IP54 / IP65 |
| Operating temperature: | -20 °C ... +70 °C |
| Electrical connection: | customized (flying leads, cable or connector) |
| Housing material: | Aluminium |
| Length: | L ₁ /L ₂ on request |

DESIGN EXAMPLE





SLIP RING

SC120

LTN

Stated values are standard. Other configurations are available on request.
Subject to change without prior notice. Issued 02/2022

LTN Servotechnik GmbH
Georg-Hardt-Straße 4
83624 Otterfing, Germany
Tel: +49 (0)8024 6080-0
Fax: +49 (0)8024 6080-1000
ltn@ltn.de
www.ltn-servotechnik.com