



**FACTS**

- Outer diameter: max. 168 mm
- Fieldbusses
- Fast Ethernet (certified to 100-BaseT Cat.5e & Cat.6)
- Offshore version possible
- Flexibly configurable interfaces

**ACCESSORIES ON REQUEST**

- Resolver • Encoder • FORJ • Media Rotary Joint

**APPLICATION EXAMPLES**

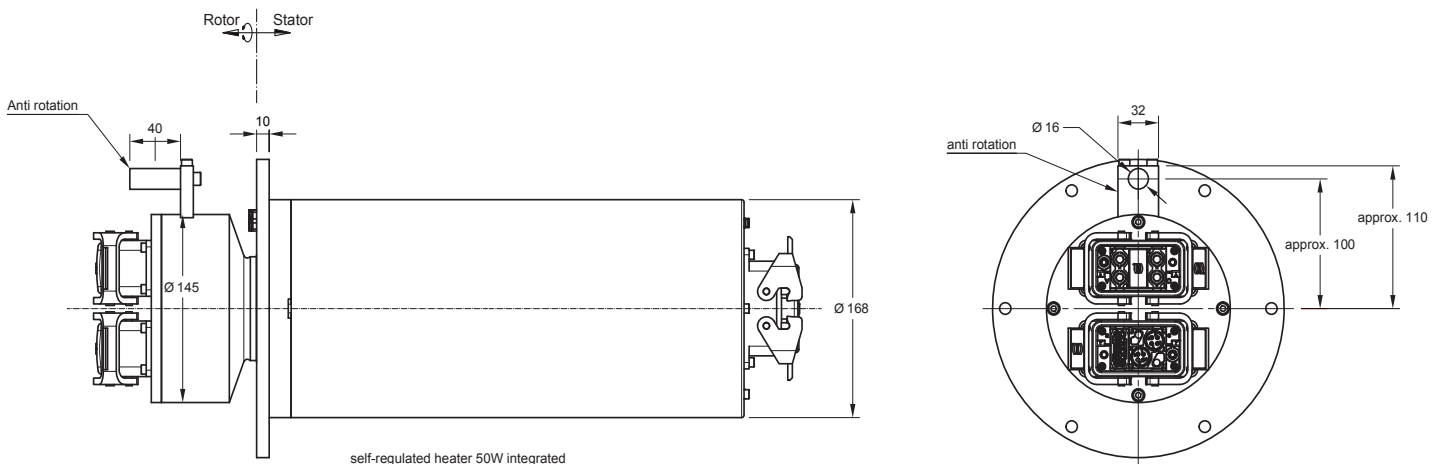
- Machine Tool • Packaging Machine • Wind Turbine Pitch System



**DATA**

|                        |                                |                        |   |
|------------------------|--------------------------------|------------------------|---|
| Number of rings:       | max. 45                        | Rotation speed:        | max. 100 rpm                                  |
| Current per ring:      | max. 100 A                     | Protection class:      | IP54 / IP65                                   |
| Voltage:               | max. 400 V <sub>AC</sub>       | Operating temperature: | -30 °C ... +70 °C                             |
| Dielectric strength:   | 2000 V <sub>AC</sub>           | Electrical connection: | customized (flying leads, cable or connector) |
| Insulation resistance: | >500 MΩ at 500 V <sub>DC</sub> | Housing material:      | Aluminium                                     |

**DESIGN EXAMPLE**





SLIP RING

SC168

LTN

---

Stated values are standard. Other configurations are available on request.  
Subject to change without prior notice. Issued 02/2022

**LTN Servotechnik GmbH**  
Georg-Hardt-Straße 4  
83624 Otterfing, Germany  
Tel: +49 (0)8024 6080-0  
Fax: +49 (0)8024 6080-1000  
ltn@ltn.de  
[www.ltn-servotechnik.com](http://www.ltn-servotechnik.com)