



FACTS

- Outer diameter: max. 300 mm
- Inner diameter: max. 170 mm
- Special design possible
- Combination with electronic components possible
- Fieldbusses

APPLICATION EXAMPLES

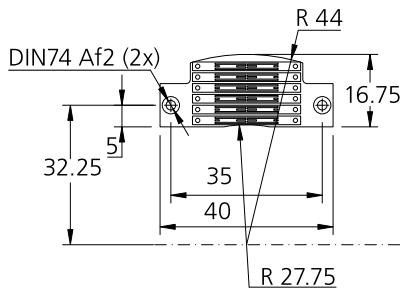
- Access System • Robotic

DATA

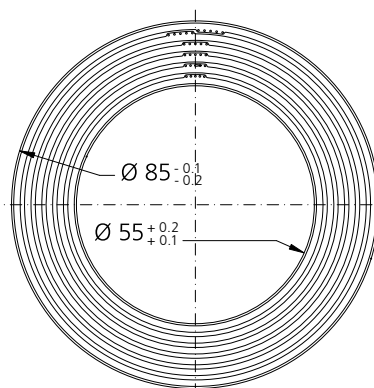
Number of rings:	max. 12	Rotation speed:	max. 100 rpm
Current per ring:	max. 10 A	Protection class:	IP00
Voltage:	max. 85 V _{AC} / 120 V _{DC}	Operating temperature:	-20 °C ... +80 °C
Dielectric strength:	500 V _{AC}	Electrical connection:	customized (flying leads, cable or connector)
Insulation resistance:	>500 MΩ at 500 V _{DC}	Housing material:	FR4

DESIGN EXAMPLE

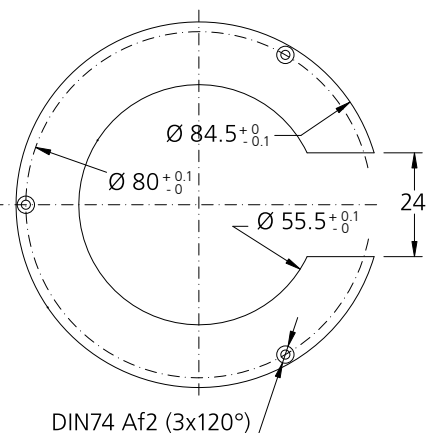
Brushblock (s = 2 mm)



Rotor (s = 1,5 mm)



Adapter ring (s = 2 mm)



All parts made of PCB-material FR4
5 screws M2x4 DIN963 free issued



ASSEMBLY

